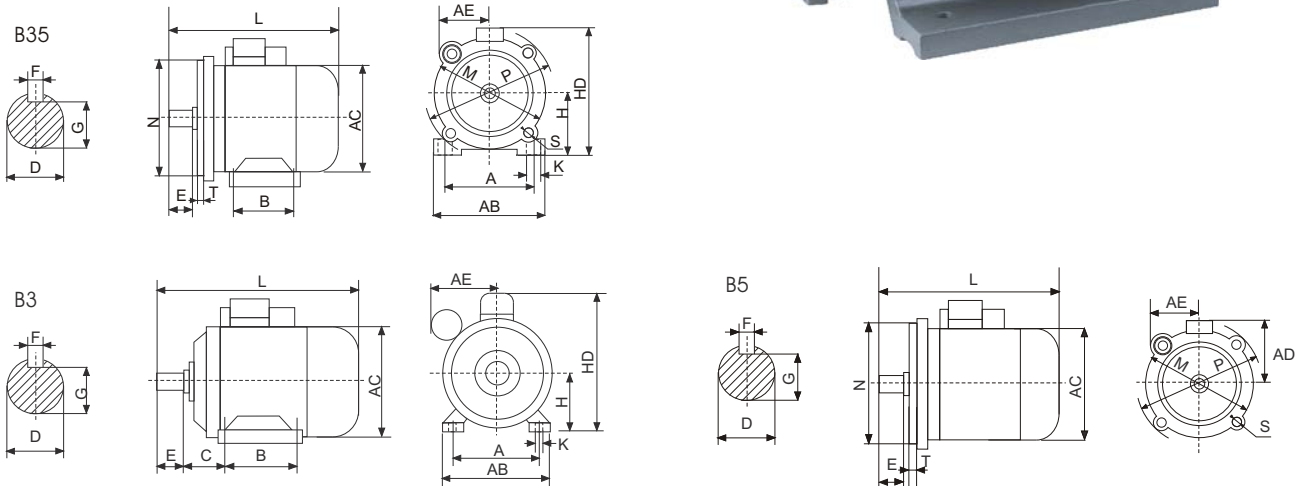
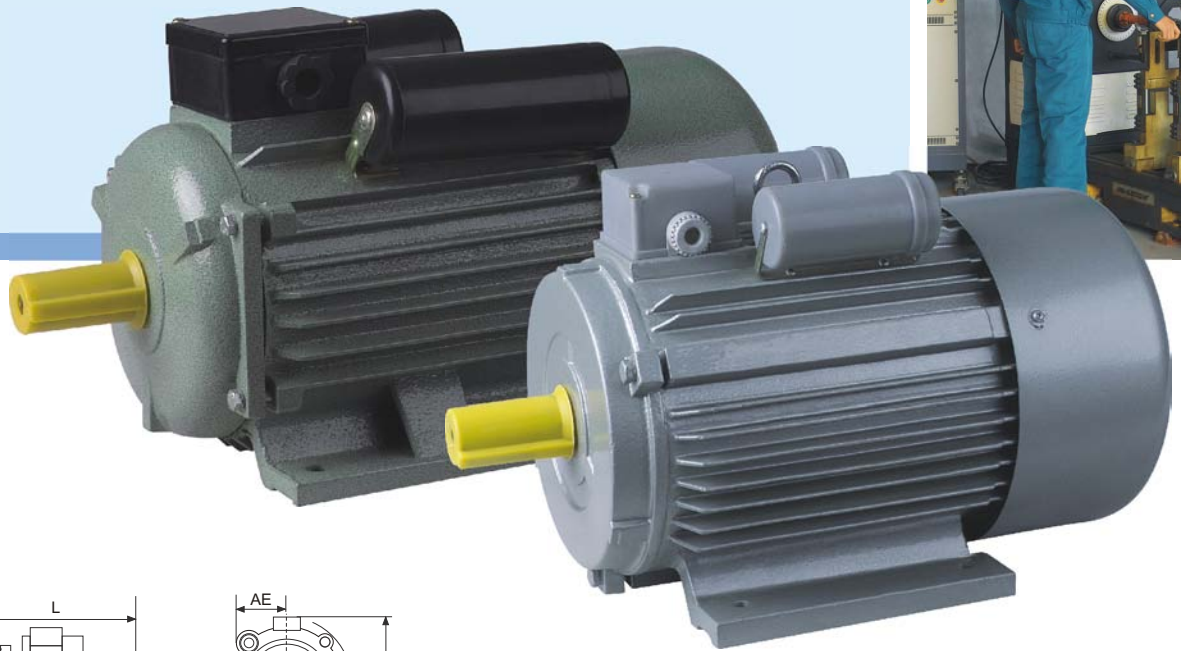


YC/YCL HEAVY-DUTY SINGLE-PHASE CAPACITOR START INDUCTION MOTOR



YC YCL SERIES INSTALLATION SIZE AND OVERALL DIMENSION

in mm

TYPE	Installation Size															Overall Dimension				
	A	B	C	D	E	F	G	H	K	M	N	P	R	S	T	AB	AC	AD	HD	L
71	112	90	45	14	30	5	11	71	7	130	110	160	0	10	3.5	145	145	140	180	255
80	125	100	50	19	40	6	15.5	80	10	165	130	200	0	12	3.5	160	165	150	200	295
90S	140	100	56	24	50	8	20	90	10	165	130	200	0	12	3.5	180	185	160	240	370
90L	140	125	56	24	50	8	20	90	10	165	130	200	0	12	3.5	180	185	160	240	400
100L	160	140	63	28	60	8	24	100	12	215	180	250	0	15	4.0	205	220	180	260	430
112M	190	140	70	28	60	8	24	112	12	215	180	250	0	15	4.0	245	250	190	300	455
132S	216	140	89	38	80	10	33	132	12	265	230	300	0	15	4.0	280	290	210	350	525
132M	216	178	89	38	80	10	33	132	12	265	230	300	0	15	4.0	280	290	210	350	553

YC/YCL HEAVY-DUTY SINGLE-PHASE CAPACITOR START INDUCTION MOTOR

YC series heavy-duty single-phase motors are suitable for small size machine tools and water pumps, especially for family workshops where only single-phase power supply is available. Motors of this series are integrated with up-to-date design, manufacture with the best quality materials, possess the features of pleasant-looking appearance and meet the IEC standard.

YCL series heavy-duty capacitor start and run, single phase induction motor is suitable for driving small-size turning machine, especially for household and workshop where only need single-phase power supply. This series motor is designed with advanced technique and made of fine materials. It also has many good characteristics such as lower noise, lower temperature raising and starting current, higher starting torque, reliable operation, easy maintenance and pretty appearance, they all meet the relative rules Of IEC standard.

YCL series motor is similar to YC series in appearance. The operating temperature of YCL motors would be 8 less than YC series motors in the same power. And also it gets 4% increase in efficiency and 0.16 higher in power factor than YC series.

YC SERIES TECHNICAL DATA

TYPE	Output KW	Current (A)	Power Factor	Eff (%)	Speed (r/min)	Tst/Tn	Ist/In	Tmax/Tn	NW.kg	Packing size (cm)
220V 50Hz Synchronous Speed 3000 r/min (2 Poles)										
YC711-2	0.18	1.9	0.70	63	2800	3	6.5	2.0	13	30X17X22
YC712-2	0.25	2.4	0.72	65	2800	3	6.5	2.0	14	30X17X22
YC80A-2	0.37	3.5	0.74	66	2840	3	6.5	2.0	15	33X22X23
YC80B-2	0.55	5.3	0.74	67	2850	3	6.5	2.0	16	33X22X23
YC80C-2	0.75	6.7	0.75	68	2850	3	6.5	2.0	17	35X22X23
YC90S-2	1.1	9.1	0.80	70	2850	2.8	7	2.0	20	38X24X26
YC90L-2	1.5	11.4	0.82	73	2870	2.8	7	2.0	24	41X24X26
YC100L-2	2.2	16.5	0.82	74	2900	2.5	7	2.0	39	45X25X28
YC112M1-2	3	21.4	0.84	76	2900	2.2	7	2.0	43	48X26X31
YC112M2-2	3.7	24.8	0.86	79	2900	2.2	7	2.0	48	48X26X31
220V 50Hz Synchronous Speed 1500 r/min (4 Poles)										
YC711-4	0.12	1.9	0.58	48	1400	3	6	2.0	13	30X17X22
YC712-4	0.18	2.7	0.60	50	1400	3	6	2.0	14	30X17X22
YC80A-4	0.25	3.4	0.62	52	1400	3	6	2.0	15	35X22X23
YC80B-4	0.37	4.5	0.64	56	1400	3	6	2.0	16	35X22X23
YC80C-4	0.55	6.0	0.65	60	1400	3	6	2.0	17	35X22X23
YC90S-4	0.75	7.7	0.72	63	1400	2.8	6.5	2.0	20	39X24X26
YC90L-4	1.1	10.4	0.72	67	1420	2.8	6.5	2.0	24	41X24X26
YC100L-4	1.5	13.5	0.73	72	1440	2.8	6.5	2.0	39	45X25X28
YC112M-4	2.2	18.5	0.74	73	1450	2.5	6.5	2.0	49	48X26X31
YC132SA-4	3	22.4	0.80	76	1450	2.2	6.5	2.0	74	51X29X36
YC132SB-4	3.7	26.0	0.82	79	1450	2.2	6.5	2.0	76	51X29X36
YC132M-4	5.0	30.5	0.84	82	1450	2.2	6.5	2.0	85	54X29X36

YCL SERIES TECHNICAL DATA

TYPE	Output KW	Current (A)	Power Factor	Eff (%)	Speed (r/min)	Tst/Tn	Ist/In	Tmax/Tn	NW.kg	Packing size (cm)
220V 50Hz Synchronous Speed 3000 r/min (2 Poles)										
YCL90S-2	1.1	7.2	0.95	73.2	2880	2.8	6.0	1.8	16	39X24X26
YCL90L-2	1.5	8.9	0.97	76	2900	2.8	7.0	1.8	19	41X24X26
YCL100L-2	2.2	13.2	0.96	78.8	2900	3.0	6.5	1.8	27	45X25X28
220V 50Hz Synchronous Speed 1500 r/min (4 Poles)										
YCL90S-4	0.75	5.0	0.93	73.3	1450	2.8	6.5	1.8	16	39X24X26
YCL90L-4	1.1	7.8	0.90	75	1450	2.5	6.0	1.8	19	41X24X26
YCL100L-4	1.5	9.3	0.92	79.4	1450	2.8	7.0	1.8	27	45X25X28
YCL112M-4	2.2	13.6	0.90	81.6	1450	2.3	6.5	1.8	36	48X26X31
YCL132S1-4	3.0	18.2	0.90	83.2	1450	2.1	6.5	1.8	51	51X29X36
YCL132S2-4	3.7	22.0	0.90	84.9	1450	2.1	6.5	1.8	54	51X29X36
YCL132M1-4	5.5	32.5	0.90	85.0	1460	2.0	6.5	1.8	65	54X29X36
YCL132M2-4	7.5	40	0.90	85.5	1460	2.0	6.5	1.8	78	54X29X36