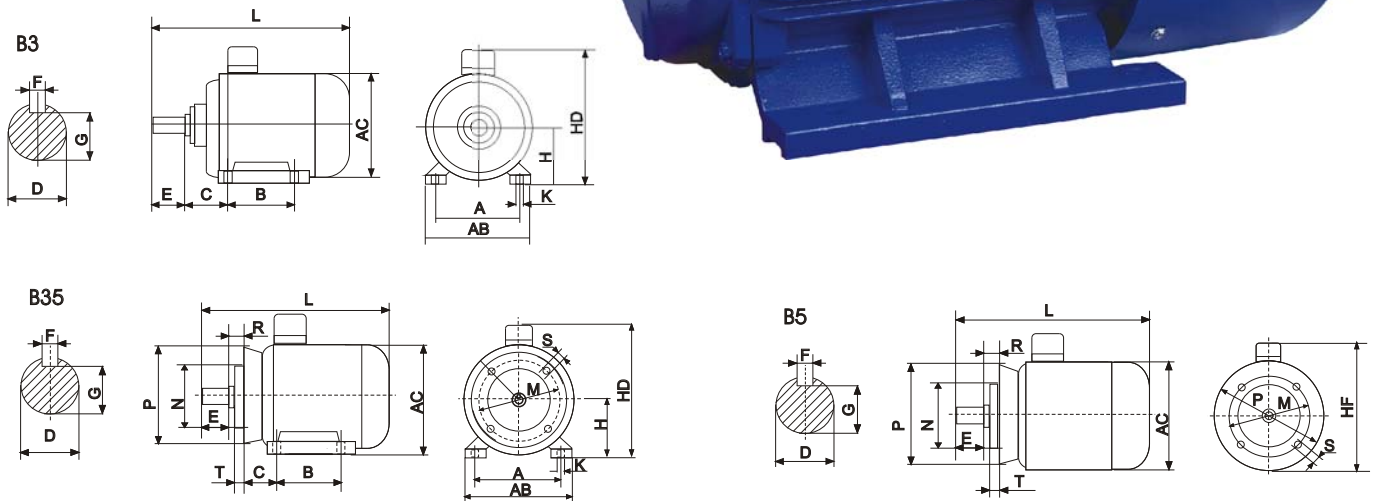


Y2 SERIES THREE-PHASE INDUCTION MOTOR

Y2 Three phase induction motor, adopting the national unified design, has reached the international advanced level of 90's. It can replace Y series induction motor and possess sophisticated features such as new construction, good-looking appearance, low vibration, low noise, economization on power materials and consumption etc.



INSTALLATION SIZE AND OVERALL DIMENSION

in mm

| Frame No | Installation Size | | | | | | | | | | | | | | Overall Dimension | | | | | |
|----------|-------------------|-----|-----|----|-----|----|------|-----|----|-----|-----|-----|---|----|-------------------|-----|-----|-----|-----|-----|
| | A | B | C | D | E | F | G | H | K | M | N | P | R | S | T | AB | AC | AD | HD | L |
| 63 | 100 | 80 | 40 | 11 | 23 | 4 | 8.5 | 63 | 7 | 115 | 95 | 140 | 0 | 10 | 3 | 135 | 130 | 70 | 180 | 230 |
| 71 | 112 | 90 | 45 | 14 | 30 | 5 | 11 | 71 | 7 | 130 | 110 | 160 | 0 | 10 | 3.5 | 150 | 145 | 80 | 195 | 255 |
| 80 | 125 | 100 | 50 | 19 | 40 | 6 | 15.5 | 80 | 10 | 165 | 130 | 200 | 0 | 12 | 3.5 | 165 | 175 | 145 | 220 | 295 |
| 90S | 140 | 100 | 56 | 24 | 50 | 8 | 20 | 90 | 10 | 165 | 130 | 200 | 0 | 12 | 3.5 | 180 | 195 | 155 | 250 | 320 |
| 90L | 140 | 125 | 56 | 24 | 50 | 8 | 20 | 90 | 10 | 165 | 130 | 200 | 0 | 12 | 3.5 | 180 | 195 | 155 | 270 | 345 |
| 100L | 160 | 140 | 63 | 28 | 60 | 8 | 24 | 100 | 12 | 215 | 180 | 250 | 0 | 15 | 4 | 205 | 215 | 180 | 300 | 385 |
| 112M | 190 | 140 | 70 | 28 | 60 | 8 | 24 | 112 | 12 | 215 | 180 | 250 | 0 | 15 | 4 | 230 | 240 | 190 | 345 | 400 |
| 132S | 216 | 140 | 89 | 38 | 80 | 10 | 33 | 132 | 12 | 265 | 230 | 300 | 0 | 15 | 4 | 270 | 275 | 210 | 345 | 470 |
| 132M | 216 | 178 | 89 | 38 | 80 | 10 | 33 | 132 | 12 | 265 | 230 | 300 | 0 | 15 | 4 | 270 | 275 | 210 | 420 | 510 |
| 160M | 254 | 210 | 108 | 42 | 110 | 12 | 37 | 160 | 15 | 300 | 250 | 350 | 0 | 19 | 5 | 320 | 330 | 225 | 420 | 615 |
| 160L | 254 | 254 | 108 | 42 | 110 | 12 | 37 | 160 | 15 | 300 | 250 | 350 | 0 | 19 | 5 | 320 | 330 | 225 | 455 | 670 |
| 180M | 279 | 241 | 121 | 48 | 110 | 14 | 42.5 | 180 | 15 | 300 | 250 | 350 | 0 | 19 | 5 | 355 | 380 | 280 | 455 | 700 |
| 180L | 279 | 279 | 121 | 48 | 110 | 14 | 42.5 | 180 | 15 | 300 | 250 | 350 | 0 | 19 | 5 | 355 | 380 | 280 | 505 | 740 |
| 200L | 318 | 305 | 133 | 55 | 110 | 16 | 49 | 200 | 19 | 350 | 300 | 400 | 0 | 19 | 5 | 395 | 420 | 305 | 505 | 770 |

TECHNICAL DAT A

| TYPE | Output KW | Current (A) | Power Factor | Eff (%) | Speed (r/min) | Tstart/Tn | Ist/In | Tmax/Tn | NW.kg | Packing size (cm) |
|---|-----------|-------------|--------------|---------|---------------|-----------|--------|---------|-------|-------------------|
| 380V 50Hz Synchronous Speed 3000 r/min (2 Poles) | | | | | | | | | | |
| Y2-631-2 | 0.18 | 0.51 | 0.80 | 65.0 | 2730 | 2.2 | 5.5 | 2.2 | 9 | 27.5X22.8X18.5 |
| Y2-632-2 | 0.25 | 0.67 | 0.81 | 68.0 | 2725 | 2.2 | 5.5 | 2.2 | 10 | 27.5X22.8X18.5 |
| Y2-711-2 | 0.37 | 0.98 | 0.81 | 70.0 | 2725 | 2.2 | 6.1 | 2.2 | 13 | 30X24.5X20 |
| Y2-712-2 | 0.55 | 1.33 | 0.82 | 73.0 | 2725 | 2.2 | 6.1 | 2.3 | 14 | 30X24.5X20 |
| Y2-801-2 | 0.75 | 1.78 | 0.83 | 75.0 | 2845 | 2.2 | 6.1 | 2.3 | 15 | 36X31X22.8 |
| Y2-802-2 | 1.1 | 2.49 | 0.84 | 77.0 | 2840 | 2.2 | 7 | 2.3 | 17 | 36X31X22.8 |
| Y2-90S-2 | 1.5 | 3.34 | 0.84 | 79.0 | 2840 | 2.2 | 7 | 2.3 | 26 | 41X33X25 |
| Y2-90L-2 | 2.2 | 4.69 | 0.85 | 81.0 | 2840 | 2.2 | 7 | 2.3 | 28 | 41X33X25 |
| Y2-100L-2 | 3 | 6.14 | 0.87 | 83.0 | 2860 | 2.2 | 7.5 | 2.3 | 41 | 47X37X29 |
| Y2-112M-2 | 4 | 7.83 | 0.88 | 85.0 | 2880 | 2.2 | 7.5 | 2.3 | 53 | 48X39X31 |
| Y2-132S1-2 | 5.5 | 10.70 | 0.88 | 86.0 | 2900 | 2.2 | 7.5 | 2.3 | 77 | 55X43X35 |
| Y2-132S2-2 | 7.5 | 14.20 | 0.88 | 87.0 | 2900 | 2.2 | 7.5 | 2.3 | 85 | 55X43X35 |
| Y2-160M1-2 | 11 | 20.90 | 0.89 | 88.0 | 2920 | 2.2 | 7.5 | 2.3 | 130 | 75X50X42 |
| Y2-160M2-2 | 15 | 27.90 | 0.89 | 89.0 | 2920 | 2.2 | 7.5 | 2.3 | 140 | 75X50X42 |
| Y2-160L-2 | 18.5 | 33.90 | 0.90 | 90.0 | 2920 | 2.2 | 7.5 | 2.3 | 200 | 81X57X46.5 |
| Y2-180M-2 | 22 | 40.50 | 0.90 | 90.0 | 2930 | 2 | 7.5 | 2.3 | 217 | 81X57X46.5 |
| Y2-200L1-2 | 30 | 54.80 | 0.90 | 91.2 | 2940 | 2 | 7.5 | 2.3 | 230 | 84X61.5X49 |
| Y2-200L2-2 | 37 | 66.60 | 0.90 | 92.0 | 2940 | 2 | 7.5 | 2.3 | 249 | 84X61.5X49 |
| Y2-225M-2 | 45 | 81.00 | 0.90 | 92.3 | 2960 | 2 | 7.5 | 2.3 | 260 | 94X64X57 |
| Y2-250M-2 | 55 | 99.60 | 0.90 | 92.5 | 2960 | 2 | 7.5 | 2 | 400 | 103X75X68 |
| 380V 50Hz Synchronous Speed 1500 r/min (4 Poles) | | | | | | | | | | |
| Y2-631-4 | 0.12 | 0.43 | 0.72 | 57.0 | 1315 | 2.1 | 4.4 | 2.2 | 9 | 27.5X22.8X18.5 |
| Y2-632-4 | 0.18 | 0.61 | 0.73 | 60.0 | 1315 | 2.1 | 4.4 | 2.2 | 10 | 27.5X22.8X18.5 |
| Y2-711-4 | 0.25 | 0.76 | 0.74 | 65.0 | 1345 | 2.1 | 5.2 | 2.2 | 13 | 30X24.5X20 |
| Y2-712-4 | 0.37 | 1.07 | 0.75 | 67.0 | 1340 | 2.1 | 5.2 | 2.2 | 14 | 30X24.5X20 |
| Y2-801-4 | 0.55 | 1.54 | 0.75 | 71.0 | 1390 | 2.4 | 5.2 | 2.3 | 15 | 36X31X22.8 |
| Y2-802-4 | 0.75 | 1.99 | 0.76 | 73.0 | 1380 | 2.3 | 6 | 2.3 | 17 | 36X31X22.8 |
| Y2-90S-4 | 1.1 | 2.80 | 0.77 | 75.0 | 1390 | 2.3 | 6 | 2.3 | 26 | 41X33X25 |
| Y2-90L-4 | 1.5 | 3.65 | 0.79 | 78.0 | 1390 | 2.3 | 6 | 2.3 | 28 | 41X33X25 |
| Y2-100L1-4 | 2.2 | 5.05 | 0.81 | 80.0 | 1410 | 2.3 | 7 | 2.3 | 41 | 47X37X29 |
| Y2-100L2-4 | 3 | 6.64 | 0.82 | 82.0 | 1410 | 2.3 | 7 | 2.3 | 43 | 47X37X29 |
| Y2-112M-4 | 4 | 8.62 | 0.82 | 84.0 | 1410 | 2.3 | 7 | 2.3 | 53 | 48X39X31 |
| Y2-132S-4 | 5.5 | 11.50 | 0.83 | 85.0 | 1435 | 2.3 | 7 | 2.3 | 77 | 55X43X35 |
| Y2-132M-4 | 7.5 | 15.30 | 0.84 | 87.0 | 1445 | 2.3 | 7 | 2.3 | 86 | 60X43X35 |
| Y2-160M-4 | 11 | 22.20 | 0.84 | 88.0 | 1445 | 2.2 | 7 | 2.3 | 130 | 75X50X42 |
| Y2-160L-4 | 15 | 29.80 | 0.85 | 89.0 | 1450 | 2.2 | 7.5 | 2.3 | 140 | 75X50X42 |
| Y2-180M-4 | 18.5 | 36.10 | 0.86 | 90.5 | 1450 | 2.2 | 7.5 | 2.3 | 200 | 81X57X46.5 |
| Y2-180L-4 | 22 | 42.60 | 0.86 | 91.0 | 1460 | 2.2 | 7.5 | 2.3 | 217 | 81X57X46.5 |
| Y2-200L-4 | 30 | 57.20 | 0.86 | 92.0 | 1460 | 2.2 | 7.2 | 2.3 | 230 | 84X61.5X49 |
| Y2-225S-4 | 37 | 69.60 | 0.87 | 92.5 | 1470 | 2.2 | 7.2 | 2.3 | 250 | 94X64X57 |
| Y2-225M-4 | 45 | 84.00 | 0.87 | 92.8 | 1480 | 2.2 | 7.2 | 2.3 | 260 | 94X94X57 |
| Y2-250M-4 | 55 | 102.90 | 0.87 | 93.0 | 1470 | 2.2 | 7.2 | 2.2 | 400 | 103X75X68 |
| 380V 50Hz Synchronous Speed 1000 r/min (6 Poles) | | | | | | | | | | |
| Y2-711-6 | 0.18 | 0.71 | 0.66 | 56.0 | 900 | 1.9 | 4 | 2 | 13 | 30X24.5X20 |
| Y2-712-6 | 0.25 | 0.92 | 0.68 | 59.0 | 900 | 1.9 | 4 | 2 | 14 | 30X24.5X20 |
| Y2-801-6 | 0.37 | 1.27 | 0.70 | 62.0 | 900 | 1.9 | 4.7 | 2 | 15 | 36X31X228 |
| Y2-802-6 | 0.55 | 1.74 | 0.72 | 65.0 | 900 | 1.9 | 4.7 | 2.1 | 17 | 36X31X228 |
| Y2-90S-6 | 0.75 | 2.23 | 0.72 | 69.0 | 910 | 2 | 5.5 | 2.1 | 26 | 41X33X25 |
| Y2-90L-6 | 1.1 | 3.10 | 0.73 | 72.0 | 910 | 2 | 5.5 | 2.1 | 28 | 41X33X25 |
| Y2-100L-6 | 1.5 | 3.89 | 0.75 | 76.0 | 940 | 2 | 5.5 | 2.1 | 41 | 47X37X29 |
| Y2-112M-6 | 2.2 | 5.46 | 0.76 | 79.0 | 940 | 2 | 6.5 | 2.1 | 53 | 48X39X31 |
| Y2-132S-6 | 3 | 7.10 | 0.76 | 81.0 | 960 | 2.1 | 6.5 | 2.1 | 77 | 55X43X35 |
| Y2-132M1-6 | 4 | 9.30 | 0.76 | 82.0 | 960 | 2.1 | 6.5 | 2.1 | 86 | 60X43X35 |
| Y2-132M2-6 | 5.5 | 12.30 | 0.77 | 84.0 | 960 | 2.1 | 6.5 | 2.1 | 95 | 60X43X35 |
| Y2-160M-6 | 7.5 | 16.70 | 0.77 | 86.0 | 970 | 2 | 6.5 | 2.1 | 130 | 75X50X42 |
| Y2-160L-6 | 11 | 23.60 | 0.78 | 87.5 | 970 | 2 | 6.5 | 2.1 | 140 | 75X50X42 |
| Y2-180L-6 | 15 | 30.70 | 0.81 | 89.0 | 970 | 2 | 7 | 2.1 | 217 | 81X57X46.5 |
| Y2-200L1-6 | 18.5 | 37.70 | 0.81 | 90.0 | 970 | 2.1 | 7 | 2.1 | 230 | 84X61.5X49 |
| Y2-200L2-6 | 22 | 44.10 | 0.83 | 90.0 | 970 | 2.1 | 7 | 2.1 | 249 | 84X61.5X49 |
| Y2-225M-6 | 30 | 58.40 | 0.84 | 91.5 | 980 | 2 | 7 | 2.1 | 260 | 94X64X57 |
| Y2-250M-6 | 37 | 70.40 | 0.86 | 92.0 | 965 | 2.1 | 7 | 2.1 | 400 | 103X75X68 |
| 380V 50Hz Synchronous Speed 750 r/min (8 Poles) | | | | | | | | | | |
| Y2-801-8 | 0.18 | 0.86 | 0.61 | 51.0 | 700 | 1.8 | 3.3 | 1.9 | 15 | 36X31X228 |
| Y2-802-8 | 0.25 | 1.14 | 0.61 | 54.0 | 700 | 1.8 | 3.3 | 1.9 | 17 | 36X31X228 |
| Y2-90S-8 | 0.37 | 1.47 | 0.61 | 62.0 | 700 | 1.8 | 4 | 1.9 | 26 | 41X33X25 |
| Y2-90L-8 | 0.55 | 2.10 | 0.61 | 63.0 | 700 | 1.8 | 4 | 2 | 28 | 41X33X25 |
| Y2-100L1-8 | 0.75 | 2.34 | 0.67 | 71.0 | 710 | 1.8 | 4 | 2 | 41 | 47X37X29 |
| Y2-100L2-8 | 1.1 | 3.22 | 0.69 | 73.0 | 710 | 1.8 | 5 | 2 | 43 | 47X37X29 |
| Y2-112M-8 | 1.5 | 4.41 | 0.69 | 75.0 | 700 | 1.8 | 5 | 2 | 53 | 48X39X31 |
| Y2-132S-8 | 2.2 | 6.00 | 0.71 | 78.0 | 710 | 1.8 | 6 | 2 | 77 | 55X43X35 |
| Y2-132M-8 | 3 | 7.60 | 0.73 | 79.0 | 710 | 1.8 | 6 | 2 | 86 | 60X43X35 |
| Y2-160M1-8 | 4 | 10.00 | 0.73 | 81.0 | 720 | 1.9 | 6 | 2 | 130 | 75X50X42 |
| Y2-160M2-8 | 5.5 | 13.30 | 0.74 | 83.0 | 720 | 2 | 6 | 2 | 130 | 75X50X42 |
| Y2-160L-8 | 7.5 | 17.80 | 0.75 | 85.5 | 720 | 2 | 6 | 2 | 140 | 75X50X42 |
| Y2-180L-8 | 11 | 24.90 | 0.76 | 87.5 | 730 | 2 | 6.6 | 2 | 217 | 81X57X46.5 |
| Y2-200L-8 | 15 | 33.30 | 0.76 | 88.0 | 730 | 2 | 6.6 | 2 | 230 | 84X61.5X49 |
| Y2-225S-8 | 18.5 | 40.10 | 0.76 | 90.0 | 730 | 1.9 | 6.6 | 2 | 250 | 94X64X57 |
| Y2-225M-8 | 22 | 46.80 | 0.78 | 90.5 | 740 | 1.9 | 6.6 | 2 | 260 | 94X64X57 |
| Y2-250M-8 | 30 | 63.00 | 0.79 | 91.0 | 740 | 1.9 | 6.6 | 2 | 400 | 103X75X68 |